

Partie 2: les angles

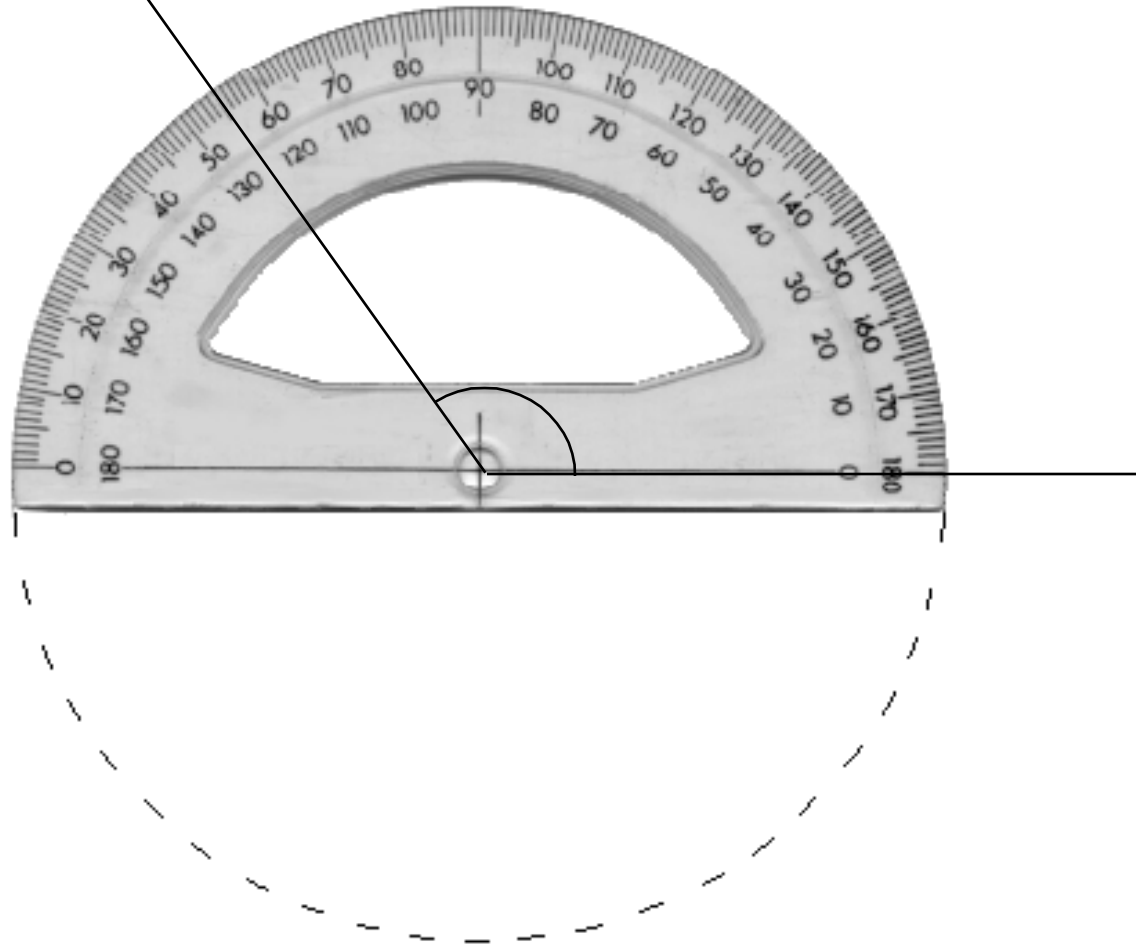
Mesurer les angles

Mars 2022

Journal Question SS1 #2

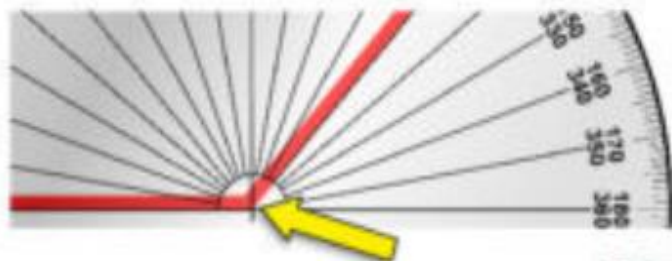
Measuring Angles - Mesurer les angles

Click on the following site and go through the tutorial and complete the practice.
This will show you how to measure angles using a protractor.

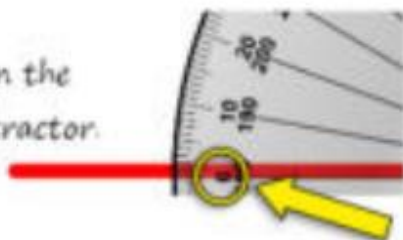


How to Use a Protractor

- 1** Place the cross at the point (vertex) of the angle you are measuring.



- 2** Read from the **zero** on the outer scale of your protractor.



- 3** Count the degree lines carefully.



Tip!

It is a good idea to estimate the angle before measuring.



Watch the video below to learn how to measure reflex angles

Visionne la vidéo pour apprendre comment mesuré un angle rentrant

<https://www.youtube.com/watch?v=wBOeW6fgYd8>

https://www.ginifab.com/feeds/angle_measurement/

Comparez ce rapporteur au vôtre. En quoi sont-ils identiques ?

<https://mrnussbaum.com/using-a-protractor-online>

Essayons ensemble quelques exemples.

Practice!

1. Worksheet (dbl sided) - Measuring Angles Worksheet
Secret Code Math (Angles and Protractors)
2. Web-site- extra practice –

<http://www.mathplayground.com/alienangles.html>

https://www.abcya.com/games/bow_and_angle

Pratique!

1. Feuille de travail (deux côtés) - Measuring Angles Worksheet
- Secret Code Math (Angles and Protractors)
2. Site-web pour la pratique supplémentaire

<http://www.mathplayground.com/alienangles.html>

https://www.abcya.com/games/bow_and_angle